

220-240V HYBRID  
SOLAR INVERTER



120A CHARGING

MAX OUTPUT 6KW

MAX PV 7000W

# HV V2-6048T

## 2X DUAL AC

Twin AC output terminals (AC1 and AC2) provides smart load management and control

## 27A PV INPUT

Now allows max PV input current up to 27A which provides better flexibility when configuring array

## GRID-INTERACTIVE

Enabling this feature will inject surplus power from PV to Grid via AC INPUT<sup>1</sup>

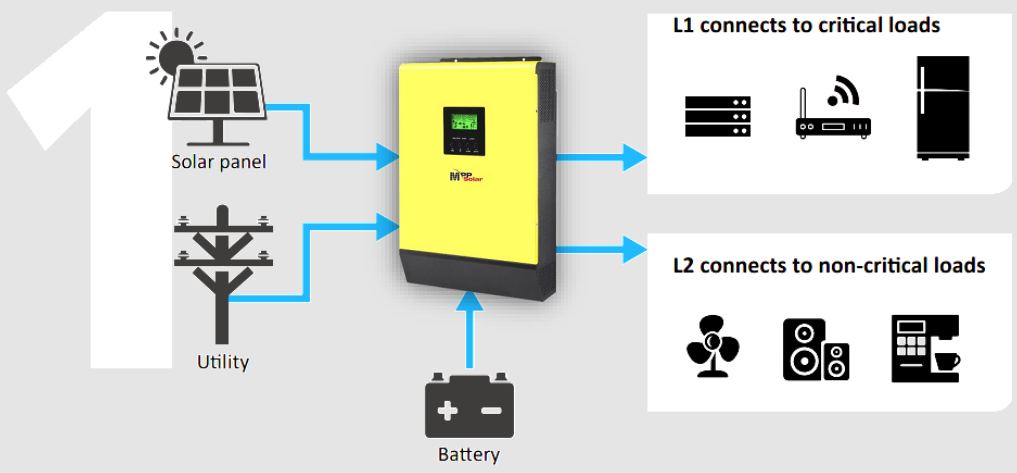
## 9X PARALLEL

No more worry about not having enough power. **Built-in parallel kit.** Max parallel up to 9 units<sup>2</sup>

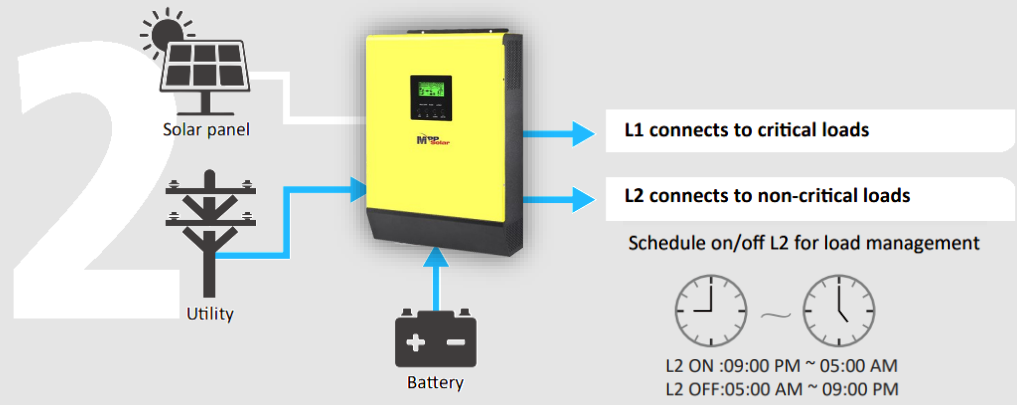
1. Before use, please contact local power authority to ensure compliance  
2. Parallel setup requires battery input.

**220-240V HYBRID  
SOLAR INVERTER**

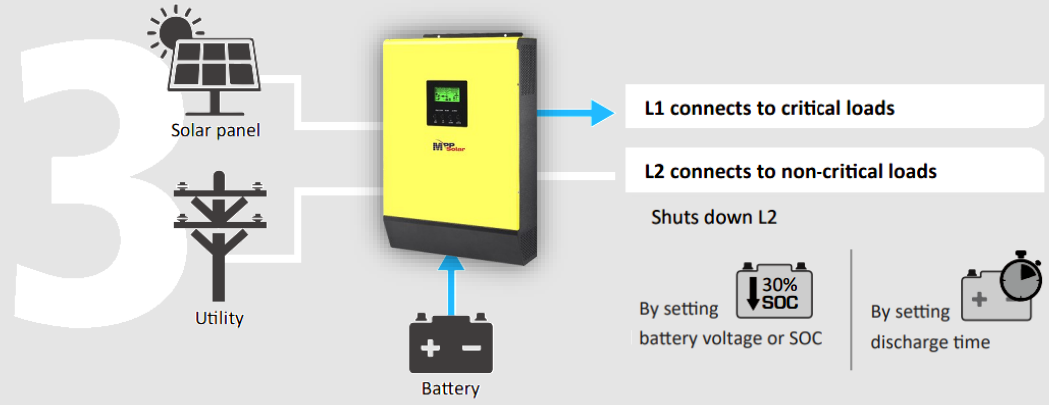
**PV & UTILITY BOTH AVAILABLE**



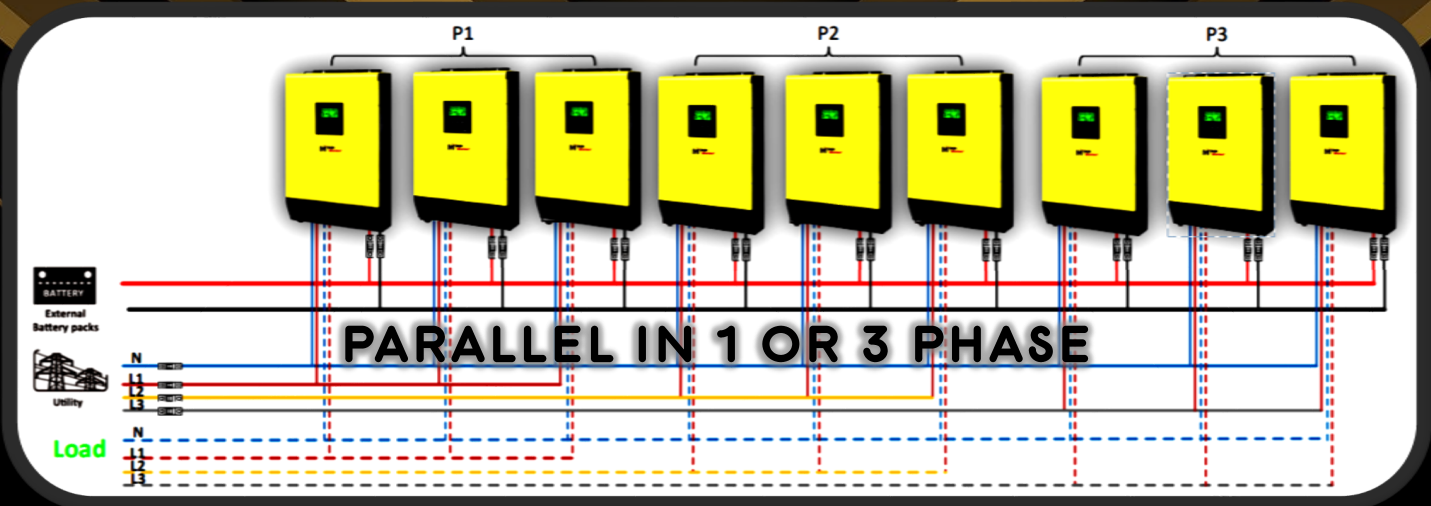
**PV IS NOT AVAILABLE**



**ONLY BATTERY AVAILABLE**



# 220-240V HYBRID SOLAR INVERTER



## HV V2 HYBRID SERIES

## HV V2-6048T

### ELECTRICAL SPECIFICATIONS

Grid Interactive	Yes
Max Continuous Power	6000W
Parallel Capability	Yes, max up to 9 units
Nominal Input / Output Voltage	230 VAC
Input/Output Frequency	50Hz/60hz Auto sensing
Output Voltage Regulation	230VAC $\pm$ 5%
Output Waveform	Pure Sine Wave
Peak Efficiency (bypass/inverter)	>95% / >93%
Nominal Battery Voltage	48V
Maximum Battery Charging Voltage	64V
Transfer Time	10ms (UPS) / 20ms (APL) / 50ms (parallel)
Charging Mode	3-stage
Max AC Charging Current	120A
Batteryless Support	Yes (single unit mode only)

### SOLAR CHARGER

Algorithm	MPPT
Max PV Input / Output	7000W
Max Charging Current	120A
Max PV Input Voc	500VDC
MPPT Range	120 - 430VDC
Max PV Input Current	27A

### ENVIRONMENTAL / MECHANICAL SPECIFICATIONS

Communication Port	RS232, USB, DRY CONTACT
Operating Temp.	-10°C ~ 50°C
Operating Humidity	5% to 95% Relative Humidity (Non-condensing)
Dimension	468*295*120mm
Net Weight	12Kg